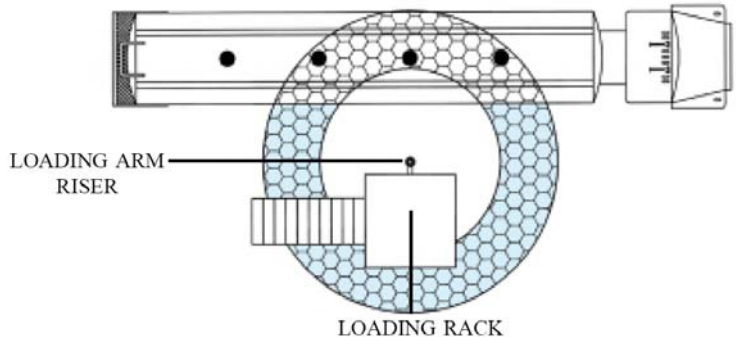
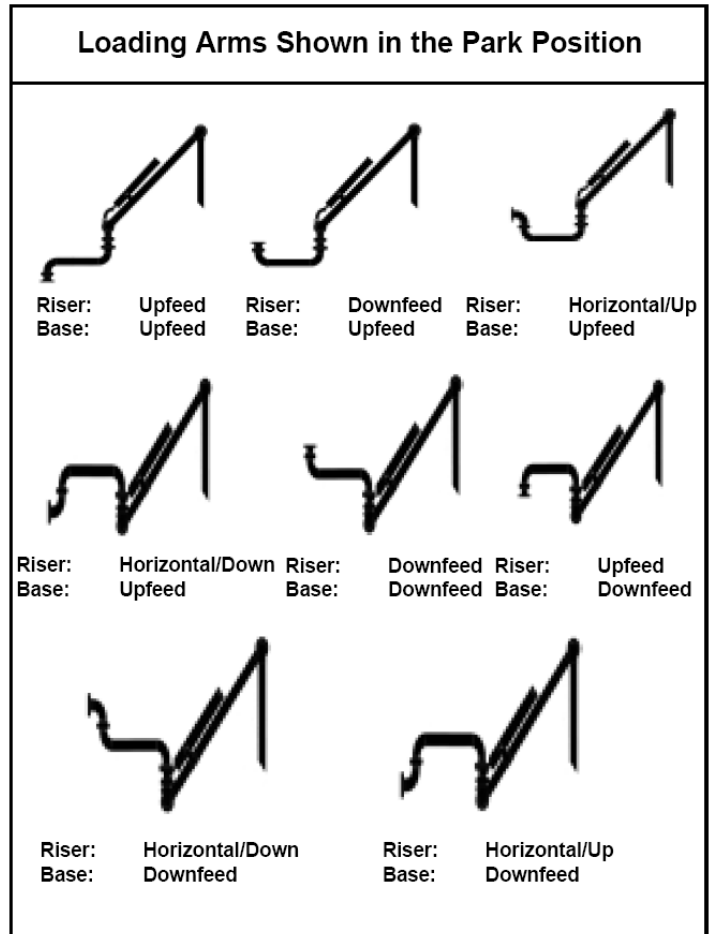


on D2000 World Series swivel joints.

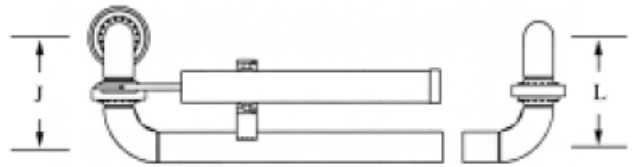
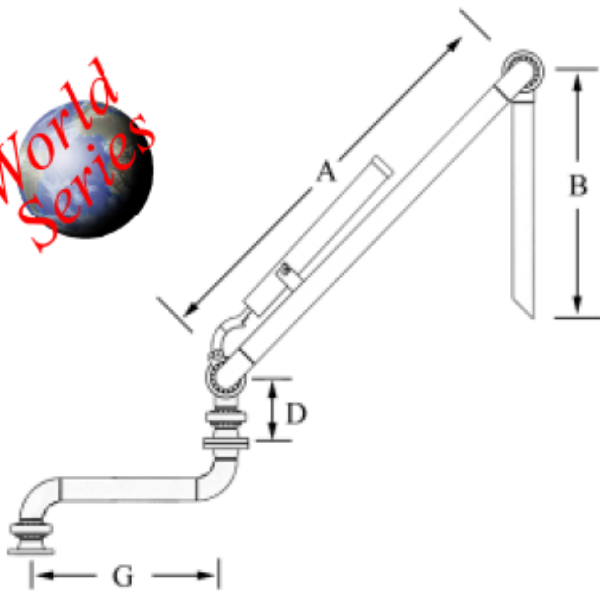
- **Extended reach** makes this arm ideal for applications where a vehicle cannot be accurately spotted.
**See spotting map at right*
- **Standard vertical range of motion** for the loading arm is 55° (park position) to - 20° (load position). Maximum vertical range of movement up to 95° with spring cylinders.
- **Standard arms feature the D2000 World Series swivel joints** for ultra low aintenance & the easy to adjust spring cylinder balance.
- **Pipe Size:** 2" thorough 12"
- **Materials:** Carbon Steel
Carbon Steel/Aluminum
Stainless Steel

RISER CONNECTION OPTIONS



TYPICAL REACH POTENTIAL

	2"	3"	4"	6"
EXXXX	□	□	□	□



	"D"	"M"	"L"
2"	9.99"	10.11"	10.11"
3"	11.86"	13.11"	13.11"
4"	14.11"	16.11"	16.11"
6"	--	--	--

Line Size:
 2" 3" 4" 6" Other Please Specify _____

Riser Connection:
 Upfeed Downfeed Horizontal (Up or Down)

Base Swivel:
 Right Hand/Upfeed Right Hand/Downfeed
 Left Hand/Upfeed Left Hand/Downfeed

Preferred Swivel Joint:
 D2000 Other Please Specify: _____

Arm Material (Wetted Parts):
 Carbon Steel Stainless Steel
 Carbon Steel/Aluminum Stainless/Aluminum

Swivel Joint Seal Material:
 Buna Viton PTFE Other Please Specify: _____

Balance Mechanism:
 Spring Cylinder Torsion Spring
 Counterweights Hydraulic Cylinder

Dimensions:
 A B G

Customer Added Weight:
 (Specify type and weight) _____

Accessories/Options:
 Loading Valve Base Middle Apex
 Ball Valve Base Middle Apex
 Vacuum Breaker Remote Control
 Lockdown Flow Deflectors
 Steam Jacketing Vapor Recovery
 High Level Shut-Off Drip Bucket
 Vertical & Horizontal Assist Posi-Stops
 Parallel Device

Application Information:
 End User: _____
 Product in Arm: _____
 Temperature (min/max): _____
 Flowrate (GPM): _____
 Qty of Arms: _____
 Your Name: _____
 Company: _____
 Phone Number: _____
 Fax Number: _____

EMCO WHEATON
 A Gardner Denver Company

Whilst the content of this leaflet has been edited with the greatest care, we are not liable for any errors or omissions

EMCO WHEATON
 USA Inc

9111 Jackrabbit Road
 Houston Texas
 USA
 77095

PO BOX 691247
 Phone: +1-281/856-1300
 Fax: +1-281/856-1325

sales@us.emcowheaton.com
www.emcowheaton.com