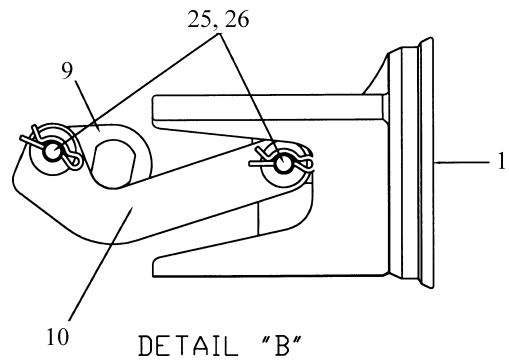
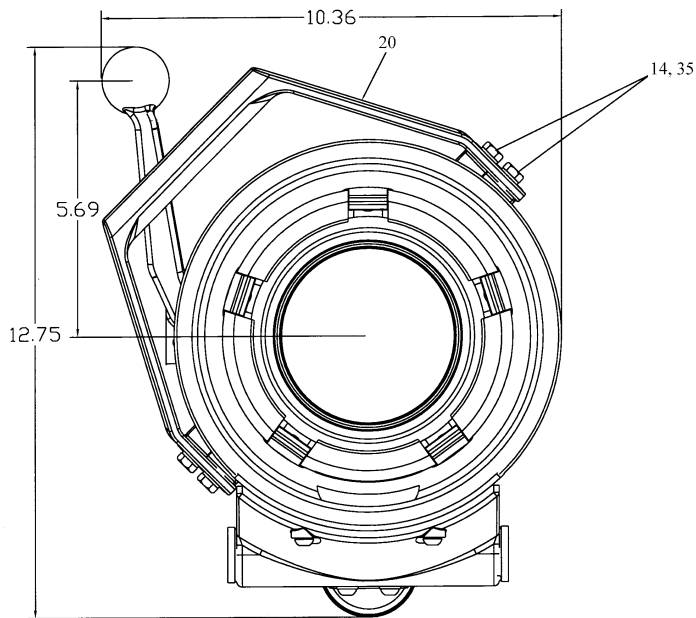
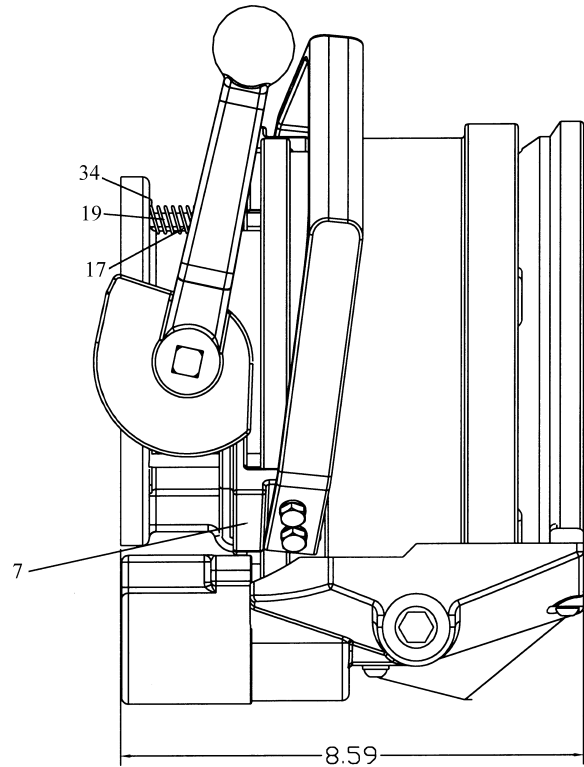
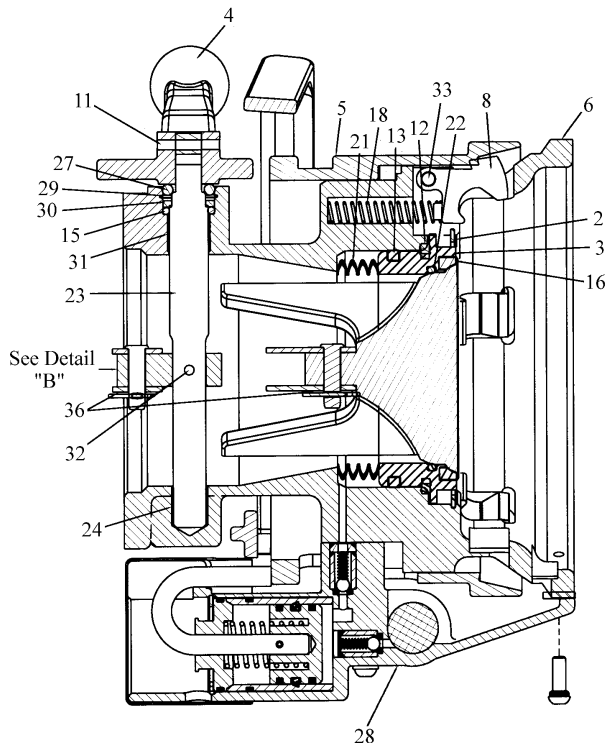


K2P API COUPLER PARTS BREAKDOWN



EMCO WHEATON™

A SYLTONE COMPANY



2501 Constant Comment Place
Louisville, KY 40299-USA
Tel: (800) 285-3626
Int'l: +1 (502) 266-8767
Fax: +1 (502) 266-5873
email: sales@syltone.com
Web: www.emcowheaton.com

K2P API COUPLER PARTS BREAKDOWN

Item	Part No.	Part Name	Mat'l	Qty
1	532121203	POPPET	ALUM	1
2	577189	RETAINING RING	SST	1
3	532121204	NOSE PIECE	ALUM	1
4	527093200	LEVER	ALUM	1
5	577698	SLEEVE	ALUM	1
6	500103200 500103201	BODY, K2P, SIDE LEVER BODY, K2P, TOP LEVER	ALUM	1
7	EW-577172	RETRACTOR	ALUM	1
8	527071200	LUG	SST	5
9	408254	CAM	SST	1
10	532200200	LINK	SST	2
11	560295	PIN	STL	1
12	565936 577369	AXIAL SEAL	HP VITON BUNA	1
13	564760 564756	SEAL, QUAD RING	HP VITON BUNA	1
14	577391	SCREW, 1/4-20X3/4	SST	4
15	407433 480400	O-RING	HP VITON BUNA	1
16	564759 564755	NOSE SEAL	HP VITON BUNA	1
17	577205	SPRING RETRACTOR	SST	2
18	517002203	SPRING LUGS	SST	5
19	577204	GUIDE ROD, RETRACTOR	SST	2
20	EW-577361	HANDLE	ALUM	1
21	577190	WAVE SPRING	SST	1
22	577072	O-RING	TEF/VIT	1
23	577054	SHAFT	SST	1
24	560595	BEARING	NYLON	1
25	408252	LINK PIN	SST	2
26	560963	HITCH PIN	SST	2
27	561320	O-RING DUST	BUNA	1
28	603010203	EXT PUMP, VITON SEALS	ASSY	1
29	408169	RETAINING RING	STL	1
30	408167	SPACER	SST	1
31	560594	BEARING	NYLON	1
32	561852	SPRING PIN	STL	1
33	470078	SPIROL PIN	SST	5
34	577269	COTTER PIN	SST	2
35	577693	LOCK WASHER 1/4"	SST	4
36	577259	WASHER	SST	2



A SYLTONE COMPANY



2501 Constant Comment Place
Louisville, KY 40299-USA
Tel: (800) 285-3626
Int'l: +1 (502) 266-8767
Fax: +1 (502) 266-5873
email: sales@syltone.com
Web: www.emcowheaton.com