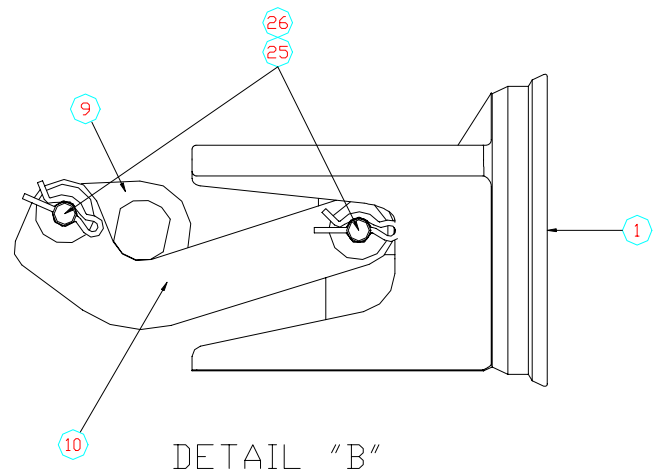
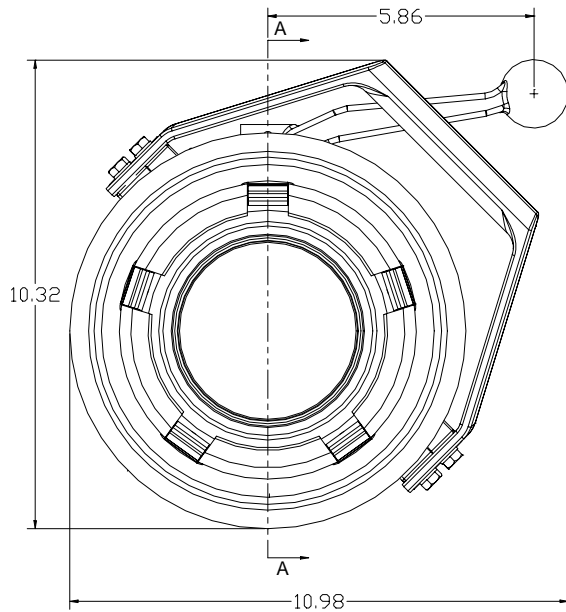
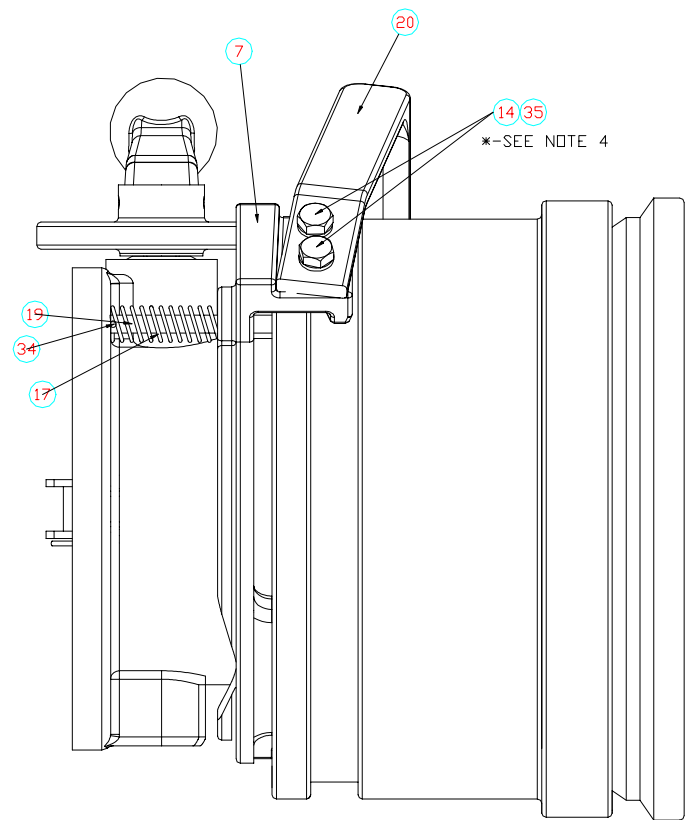
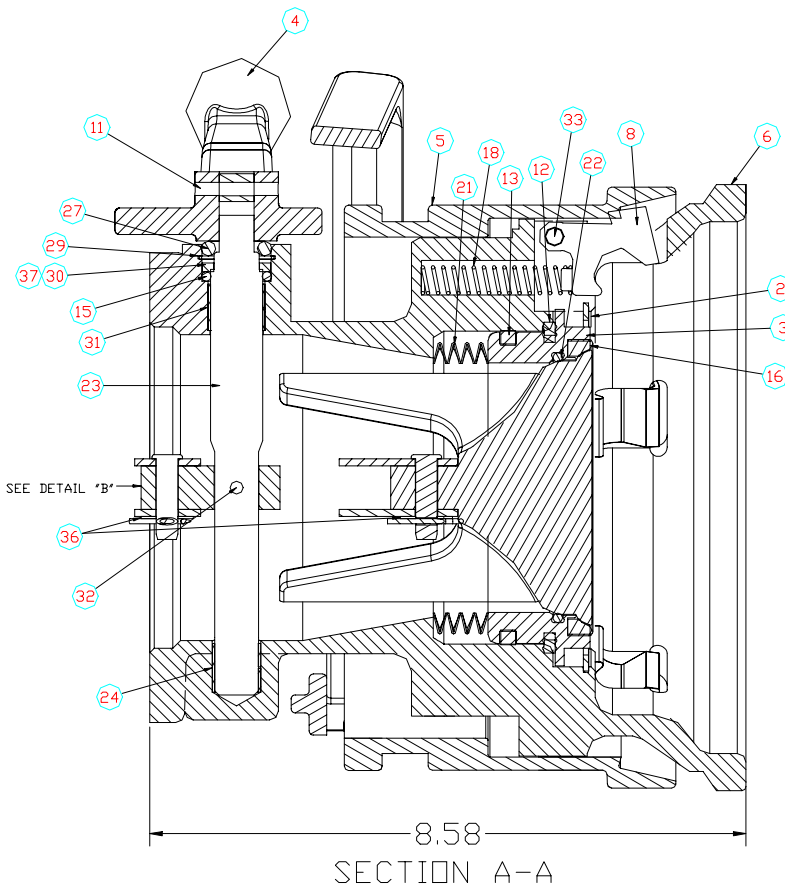


# K2 API COUPLER PARTS BREAKDOWN



**EMCO WHEATON**™

A SYLTONE COMPANY



2501 Constant Comment Place  
Louisville, KY 40299-USA  
Tel: (800) 285-3626  
Int'l: +1 (502) 266-8767  
Fax: +1 (502) 266-5873  
email: sales@syltone.com  
Web: www.emcowheaton.com

# K2 API COUPLER PARTS BREAKDOWN

| Item | Part No.               | Part Name                                   | Mat'l            | Qty |
|------|------------------------|---|------------------|-----|
| 1    | 532121203              | POPPET                                      | ALUM             | 1   |
| 2    | 577189                 | RETAINING RING                              | SST              | 1   |
| 3    | 532121204              | NOSE PIECE                                  | ALUM             | 1   |
| 4    | 527093200              | LEVER                                       | ALUM             | 1   |
| 5    | 577753                 | SLEEVE                                      | ALUM             | 1   |
| 6    | 500103203<br>500103202 | BODY, K2, TOP LEVER<br>BODY, K2, SIDE LEVER | ALUM             | 1   |
| 7    | XEW-577172             | RETRACTOR                                   | ALUM             | 1   |
| 8    | 527071200              | LUG   | SST              | 5   |
| 9    | 408254                 | CAM   | SST              | 1   |
| 10   | 532200200              | LINK  | SST              | 2   |
| 11   | 560295                 | PIN   | STL              | 1   |
| 12   | 565936<br>577369       | AXIAL SEAL                                  | HP VITON<br>BUNA | 1   |
| 13   | 564760<br>564756       | SEAL, QUAD RING                             | HP VITON<br>BUNA | 1   |
| 14   | 577391                 | SCREW, 1/4-20X3/4                           | SST              | 4   |
| 15   | 407433<br>480400       | O-RING                                      | HP VITON<br>BUNA | 1   |
| 16   | 564759<br>564755       | NOSE SEAL                                   | HP VITON<br>BUNA | 1   |
| 17   | 577205                 | SPRING RETRACTOR                            | SST              | 2   |
| 18   | 517002203              | SPRING LUGS                                 | SST              | 5   |
| 19   | 577204                 | GUIDE ROD, RETRACTOR                        | SST              | 2   |
| 20   | XEW-577361             | HANDLE                                      | ALUM             | 1   |
| 21   | 577190                 | WAVE SPRING                                 | SST              | 1   |
| 22   | 577072                 | O-RING                                      | TEF/VIT          | 1   |
| 23   | 577054                 | SHAFT                                       | SST              | 1   |
| 24   | 560595                 | BEARING                                     | NYLON            | 1   |
| 25   | 408252                 | LINK PIN                                    | SST              | 2   |
| 26   | 560963                 | HITCH PIN                                   | SST              | 2   |
| 27   | 561320                 | O-RING DUST                                 | BUNA             | 1   |
| 29   | 408169                 | RETAINING RING                              | STL              | 1   |
| 30   | 408167                 | SPACER                                      | SST              | 1   |
| 31   | 560594                 | BEARING                                     | NYLON            | 1   |
| 32   | 561852                 | SPRING PIN                                  | STL              | 1   |
| 33   | 470078                 | SPIROL PIN                                  | SST              | 5   |
| 34   | 577269                 | COTTER PIN                                  | SST              | 2   |
| 35   | 577693                 | LOCK WASHER 1/4"                            | SST              | 4   |
| 36   | 577259                 | WASHER                                      | SST              | 2   |



A SYLTONE COMPANY



2501 Constant Comment Place  
Louisville, KY 40299-USA  
Tel: (800) 285-3626  
Int'l: +1 (502) 266-8767  
Fax: +1 (502) 266-5873  
email: sales@syltone.com  
Web: www.emcowheaton.com